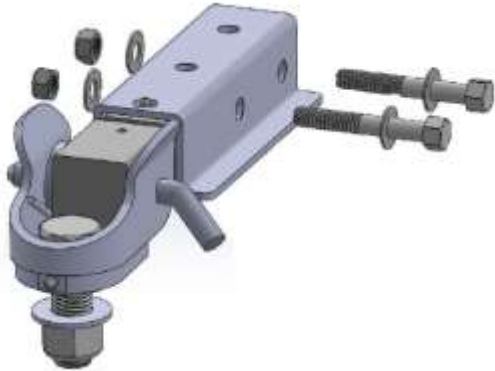




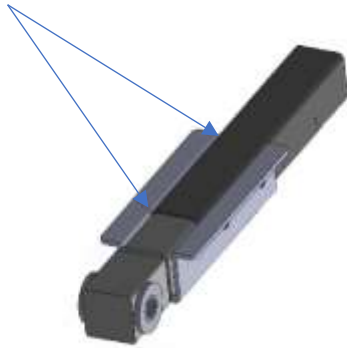
2" CHANNEL MOUNT

PART #210

The Max Coupler 2" Channel Mount can be mounted using the supplied hardware or can be welded by a certified welder.



MINIMUM 2" WELDS FROM THE FRONT OF THE TRAILER DRAWBAR AND MINIMUM OF 2" WELD FROM THE REAR OF THE COUPLER FORWARD. BOTH SIDES



WELD ON THE TOP AND BOTH SIDES OF THE REAR OF THE COUPLER TO THE TRAILER DRAWBAR.

